

# owner's manual

BEDIENUNGSANLEITUNG  
MANUEL DE L'UTILISATEUR  
GEBRUIKSAANWIJZING  
MANUAL DEL USUARIO  
MANUALE DELLE ISTRUZIONI  
BRUKSANVISNING



ENGLISH . . . . .	2
DEUTSCH . . . . .	5
FRANÇAIS . . . . .	8
NEDERLANDS . . . . .	11
ESPAÑOL . . . . .	14
ITALIANO . . . . .	17
SVENSKA . . . . .	20

Quality. Uncompromised.

# ROTEL®

SEMI-AUTOMATIC  
BELT-DRIVE STEREO TURNTABLE

# RP-400

**WARNING**  
TO PREVENT FIRE OR SHOCK HAZARD,  
DO NOT EXPOSE THIS APPLIANCE TO  
RAIN OR MOISTURE

Write your SERIAL NUMBER here.  
The number is located near the name  
plate on the rear panel.

# ENGLISH

## SEMI-AUTOMATIC BELT-DRIVE STEREO TURNTABLE RP-400

### INTRODUCTION

We at Rotel want to thank you for purchasing our audio product.

Rotel audio products are designed to use the latest electronic technology, and they incorporate our long experience as a specialist manufacturer of audio equipment. We are confident that you will find satisfaction in the high quality sound and top performance, and that you will find pleasure in the functional beauty achieved through human-engineering concept. Before starting operation, please read this instruction manual thoroughly and acquaint yourself with the proper mode of using the unit and all its connections.

We hope you will enjoy top-notch performance for many years to come.

### EXCLUSIVE NOTE FOR U.K.

If your unit comes with a 2-core cable without a plug, make certain live and neutral leads are connected to the proper terminals. Check that the terminals are screwed down firmly and no loose strands of wire are present.

**IMPORTANT:** The wires in this mains lead are coloured in accordance with the following code:

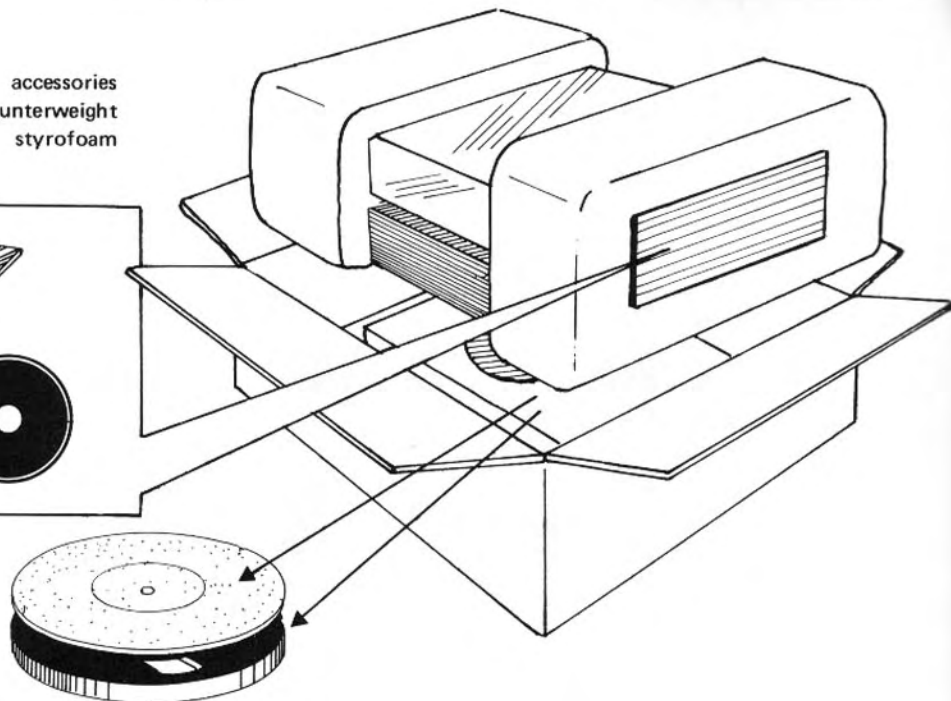
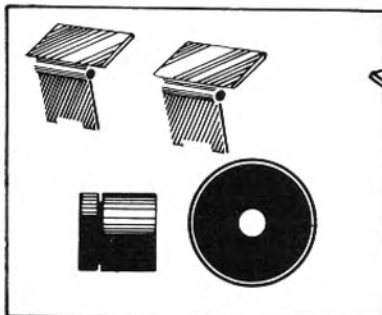
BLUE: NEUTRAL  
BROWN: LIVE

As the colours of the wires in the mains lead of this apparatus may not correspond with the coloured markings identifying the terminals in your plug proceed as follows.

The wire which is coloured BLUE must be connected to the terminal which is marked with the letter N or coloured BLUE or BLACK. The wire which is coloured BROWN must be connected to the terminal which is marked with the letter L or coloured BROWN or RED.

### UNPACKING

The attachments and accessories such as hinges and counterweight are stored inside the styrofoam moulding.



### PART NAMES

- |                          |                             |
|--------------------------|-----------------------------|
| (1) Head shell stand     | (11) Arm rest               |
| (2) Turntable/rubber mat | (12) Tonearm with headshell |
| (3) Turntable shaft      | (13) Speed selector         |
| (4) Capstan              |                             |
| (5) Reject button        |                             |
| (6) EP adaptor           |                             |
| (7) Counterweight        |                             |
| (8) Stylus force gauge   |                             |
| (9) Anti-skating device  |                             |
| (10) Cueing stick        |                             |

where it is free from high temperature, humidity and not exposed to direct sunlight to prevent possible troubles.

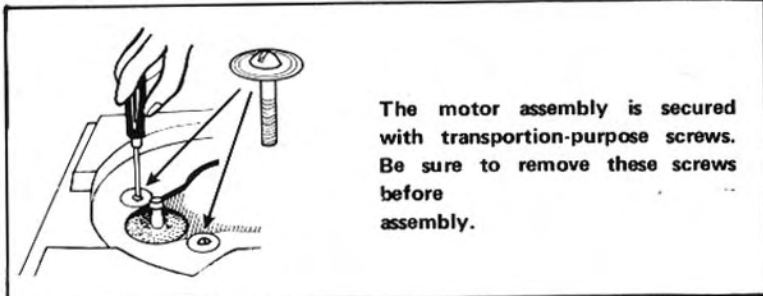
Vibrations and unlevel installation will affect the performance of the turntable adversely and the stylus will skip grooves.

### INSTALLATION

Do not place the unit near appliances that utilize motor or large transformers to prevent hum. Be sure to place the unit in a place



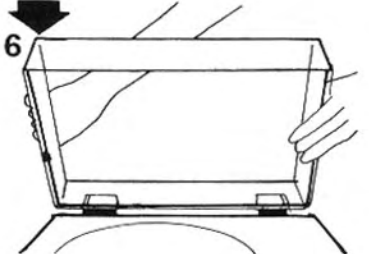
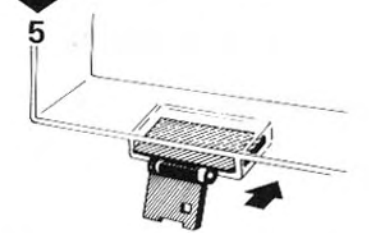
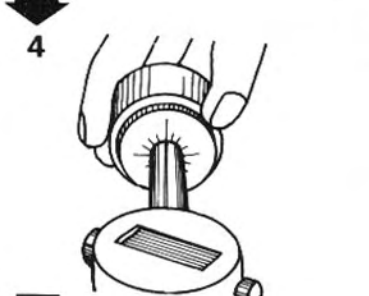
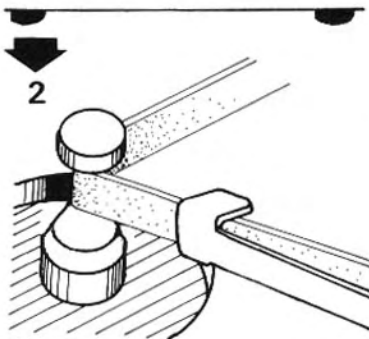
## ASSEMBLY



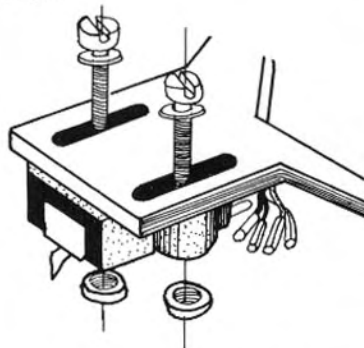
The motor assembly is secured with transportation-purpose screws. Be sure to remove these screws before assembly.



1. Fit the platter in place.
2. Hook the belt on the capstan. The belt is found on the rim of the inside of the platter. Turn the platter by hand until you can see the capstan through the hole in the platter. Hook the belt on the capstan with fingers.
3. Fit the rubber mat.
4. Fit the counterweight onto the tonearm.
5. Fit the hinges into the hinge hpockets of the dust cover.
6. Install the dust cover.



## CARTRIDGE INSTALLATION



When you replace originally supplied cartridge (Rotel 2RC-1), unscrew the 2RC-1 and install a new one. The lead wires coming out of the head shell are color coded as follows. Make sure to carry out proper connection.

- Green: Right/-
- Blue: Left/-
- Red: Right/+
- White: Left/+

Fit the cartridge using, nuts, bolts and washers.

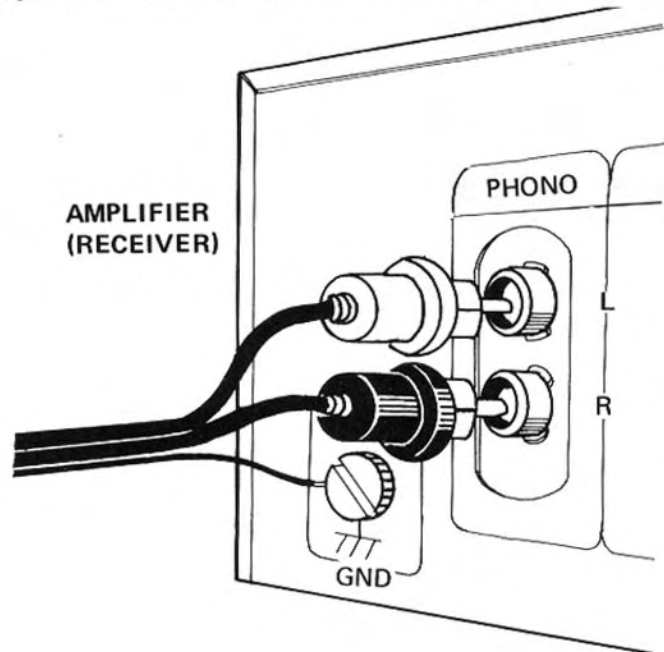
## POWER SUPPLY CONNECTION

For power the unit requires the normal household current (AC). You may simply plug the unit to a wall outlet, or to your amplifier's (or receiver's) convenience receptacle on the rear panel. If it is plugged to a convenience receptacle marked "SWITCHED," you cannot operate the unit when the power switch on the amplifier or receiver is set to OFF.

## CONNECTION TO AMPLIFIER OR RECEIVER

The unit is provided with RCA cords for both channels, and a ground wire. The RCA cord with white plug should be connected to L (left

channel) of PHONO terminals and the cord with red plug to R (right channel) of PHONO terminals on the amplifier or receiver. Connect the ground wire to GND terminals on the amplifier or receiver.



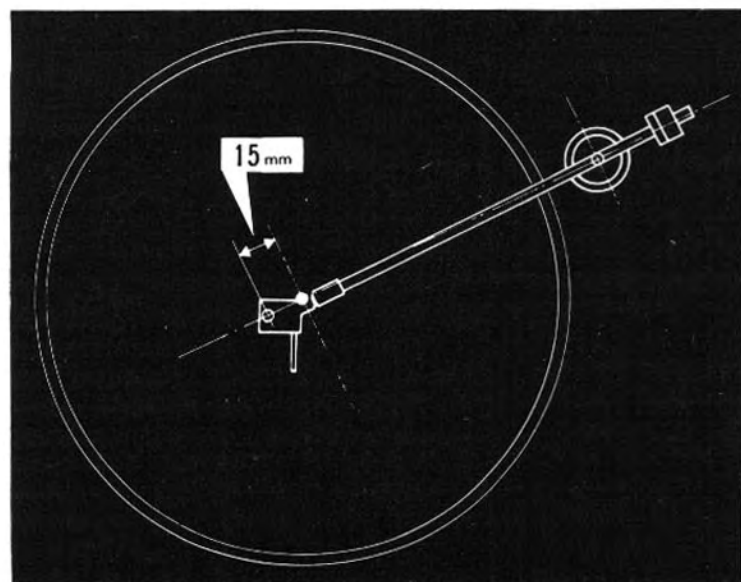
## OVERHANG ADJUSTMENT

- Use an overhang gauge for correct adjustment.
- Overhang has been factory-adjusted for the unit equipped with Rotel cartridge (2RC-1).

As shown in the illustration, overhang indicates the distance that the needle projects beyond the center shaft of the turntable along a line drawn from the fulcrum point of the tonearm through the center of the turntable. When this overhang position is not in proper adjustment, the cartridge needle will not be able to track the record grooves properly.

### To Adjust Overhang:

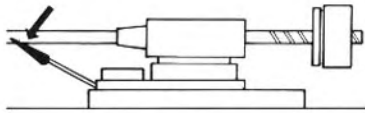
1. Loosen the two cartridge mounting screws.
  2. Position the tonearm over the center shaft of the turntable platter.
  3. Slide the cartridge forward or backward until the position of the needle corresponds to the specified distance from the center shaft. (refer to figure) This distance may be conveniently determined by attaching the furnished overhang alignment protractor to the central shaft.
  4. After correct overhang has been determined, firmly retighten the two cartridge mounting screws.
- NOTES: Be careful not to let fingers come into contact with the point of the needle.



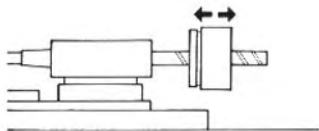
## STYLUS FORCE ADJUSTMENT

Appropriate stylus force must be obtained to let the stylus trace the groove correctly. Incorrect setting of the stylus force may cause the system to skip grooves or affect the reproduced sound quality.

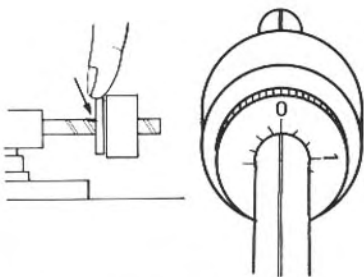
1. Lower the cueing stick.



2. Move the counterweight forward and backward so that the tonearm will be balanced horizontally. When balanced, the head shell is raised and the tonearm parallels the main body with the tonearm base as fulcrum. (Caution: Be careful not to drop the stylus or hit it against the platter or other objects.)

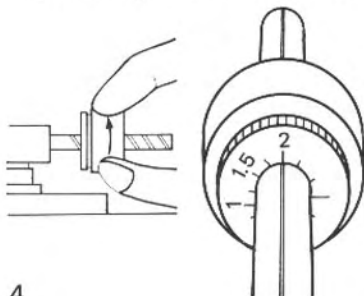


3. Return the tonearm onto the arm rest. Turn the gauge ring of the counterweight so that 0 point falls on the reference marker on the tonearm.

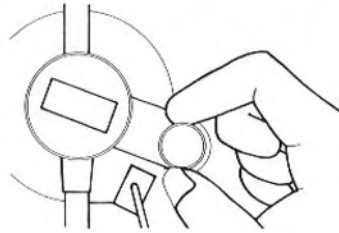


4. Turn the counterweight to preset the reading on the gauge to the designated stylus force of your cartridge. Do not touch the gauge ring, as it will turn with the counterweight.

Rotel cartridge 2RC-1 . . . . . 2g



5. Turn and set the anti-skating knob to the value same as the stylus force of your cartridge. Stylus force adjustment is now complete.



## PLAY

1. Place a record on the platter. Use the EP adaptor when playing records with a large center hole.

2. Set the speed selector to the rpm of the record to be played.

3. Lift the cueing stick and swing the tonearm carefully to a position directly over the starting grooves of the record. This will turn the power on.

4. Check to see that the stylus is over the record. Lower the cueing stick to start transcription.

If you wish to stop the turntable midway through a record, press the REJECT button. The tonearm will return to the arm rest automatically and the power will be turned off.

5. When the transcription is finished, the tonearm will return to the arm rest automatically and the power will be turned off.

## MAINTENANCE

1. Keep the stylus tip clean of dust. Clean the stylus carefully using a soft brush, and also clean the record before commencing play.

2. The stylus tip is very sensitive. Be careful not to touch it with a finger or do not let it come in contact with solid matters.

3. The stylus is usually good for about 500 to 1,000 hours of continuous playing. A worn stylus will cause the sound to be distorted and the record to be damaged. Be sure to use the correct replacement stylus matching to your cartridge.

4. Do not move the turntable when it is operating. Never try to stop the platter forcibly by hand while it is rotating.

5. When replacing cartridge or stylus, make sure the power cord is unplugged.

6. Lubrication is unnecessary. Consult your dealer if necessity arises.  
7. Keep the unit always clean. Use

a soft dry cloth to clean the cabinet and the dust cover.

## HOWLING AND HUM

Howling is usually caused by vibration of speakers which affects the sensitive cartridge. If such phenomenon occurs, relocate the turntable or speakers away from each other as much as possible. Hum is usually caused by the nearby appliances utilizing transformers or thermostat.

Relocating the unit away from the noise sources will readily solve the problem.

## SPECIFICATIONS

Motor . . . . .	4-pole hysteresis synchronous motor
Drive . . . . .	Belt-drive system
Speeds . . . . .	.33-1/3 and 45 rpm
Wow and Flutter . . . . .	0.05% (WRMS)
Signal-to-Noise Ratio . . . . .	Better than 55dB (IEC-B) Better than 65dB (DIN-B)
Platter . . . . .	Aluminum diecast (300mm)

## ONEARM

Type . . . . .	Static-balanced straight pipe arm, with oil-damped cueing device, direct-readout stylus gauge counter weight, anti-skating device.
Overhang . . . . .	.15mm
Tracking Error . . . . .	+2.5° to -1.5°
Suitable Cartridge Weight . . . . .	.2.5g-9g
Suitable Stylus Pressure . . . . .	.0.75g-3g

## MISCELLANEOUS

Power Requirement . . . . .	.100/120V (50-60Hz), 220/240V (50-60Hz)
Power Consumption . . . . .	.8 watts (max.)
Dimensions (overall) . . . . .	.436 (W) x 138 (H) x 370 (D) mm 17-5/32" x 5-7/16" x 14-9/16"
Weight (net) . . . . .	.4.8kg

## CARTRIDGE (2RC-1)

Type . . . . .	.MM type
Frequency Response . . . . .	.20 to 25,000Hz
Channel Separation . . . . .	.26dB at 1kHz
Load Impedance . . . . .	.47 kohms
Compliance . . . . .	.8 x 10 <sup>-6</sup> cm/dyne
Stylus Force Range . . . . .	.1.5 to 2.5g
Suitable Stylus Force . . . . .	.2.0g
Replacement Stylus Tip . . . . .	.RN-1-01 (round) 0.5 mil diamond RN-1-02 (oval) 0.3 x 0.7 mil diamond
Cartridge Weight . . . . .	.5.7g

• Specifications subject to change for improvement without prior notice.